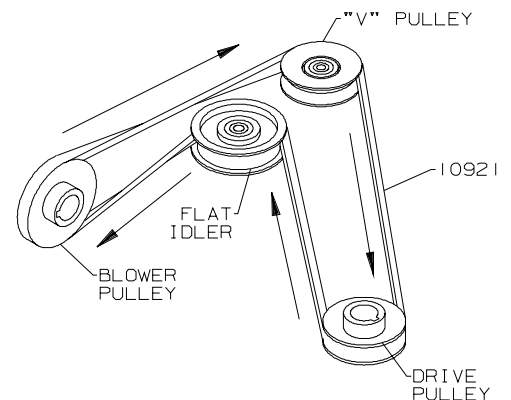
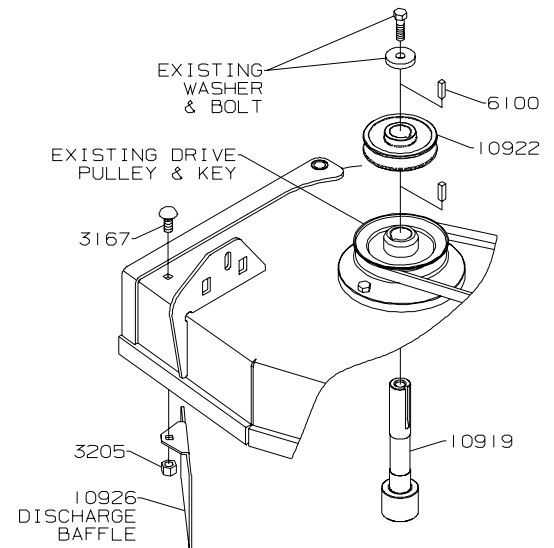


INSTALLATION INSTRUCTIONS

34" BLOWER (BLACK BEAR) - P/N 90022

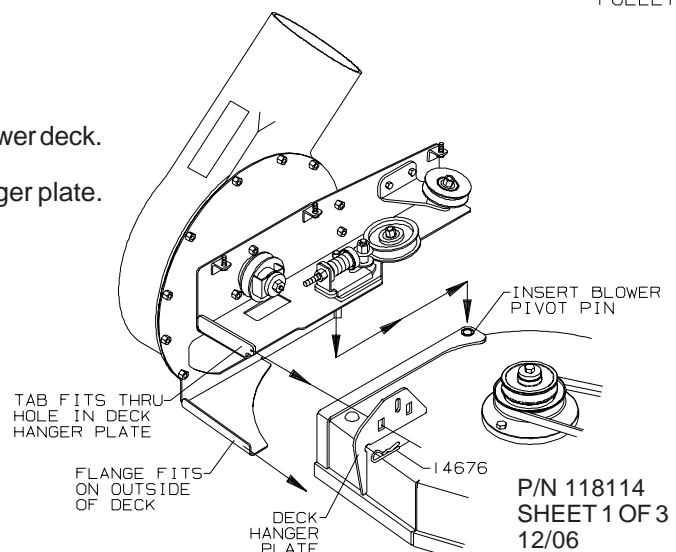
- 1) Remove mower deck from chassis. Refer to Operator's Manual, if necessary.
- 2) Remove deflector assembly and mounting bracket from deck.
- 3) Remove pulley guard from right hub.
- 4) Replace right blade spindle with new, longer spindle (10919). The existing drive pulley and key will fit on new shaft. Add new key (6100) and blower drive pulley (10922). Raised portion of pulley hub should be on top. Install the existing washer and bolt and tighten to 70-80 ft./lbs. Refer to illustration.
- 5) An individual's preference for either HiLift or LoLift blades may vary, depending on mowing conditions and on the type and heaviness of grass to be bagged. Tighten blade attaching hardware to 60-70 ft./lbs.
- 6) Install discharge baffle (10926) inside the front of the discharge opening, as illustrated. Use 5/16-18 x 3/4" carriage bolt (3167) and 5/16" nylok nut (3205). This baffle's purpose is to assist in the funneling action of the grass into the blower.
- 7) Reinstall mower deck to chassis. Refer to Operator's Manual, if necessary. Check to be sure the blades are level and the deck rake is correct, and make necessary changes.
- 8) Insert blower pivot pin into hole at rear of discharge opening. See illustration at bottom of page.
- 9) Install blower drive belt (10921) so that blower rotation is clockwise when viewed from the operator's position. See illustration at right.
- 10) Install blower assembly to mower deck, as illustrated.



Rotate blower so raised flange at the bottom fits on outside of mower deck.

Tab at front of blower fits through rectangular hole in deck hanger plate. Secure with hairpin cotter (14676).

Belt is automatically tensioned when blower is rotated into position. If necessary, belt tension may be adjusted by turning the nut on the threaded spring rod.



11) Install belt guard (10911), as illustrated. Use three 1/4" washers (3217) and three 1/4-20 wing nuts (3198).

12) Discharge tube is included with grass bagger kit. The tube will slip-fit on the blower assembly, and may be secured using hose clamp (3725).

